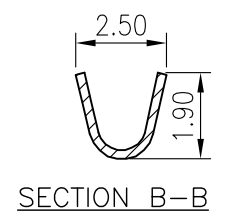
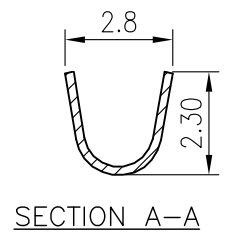
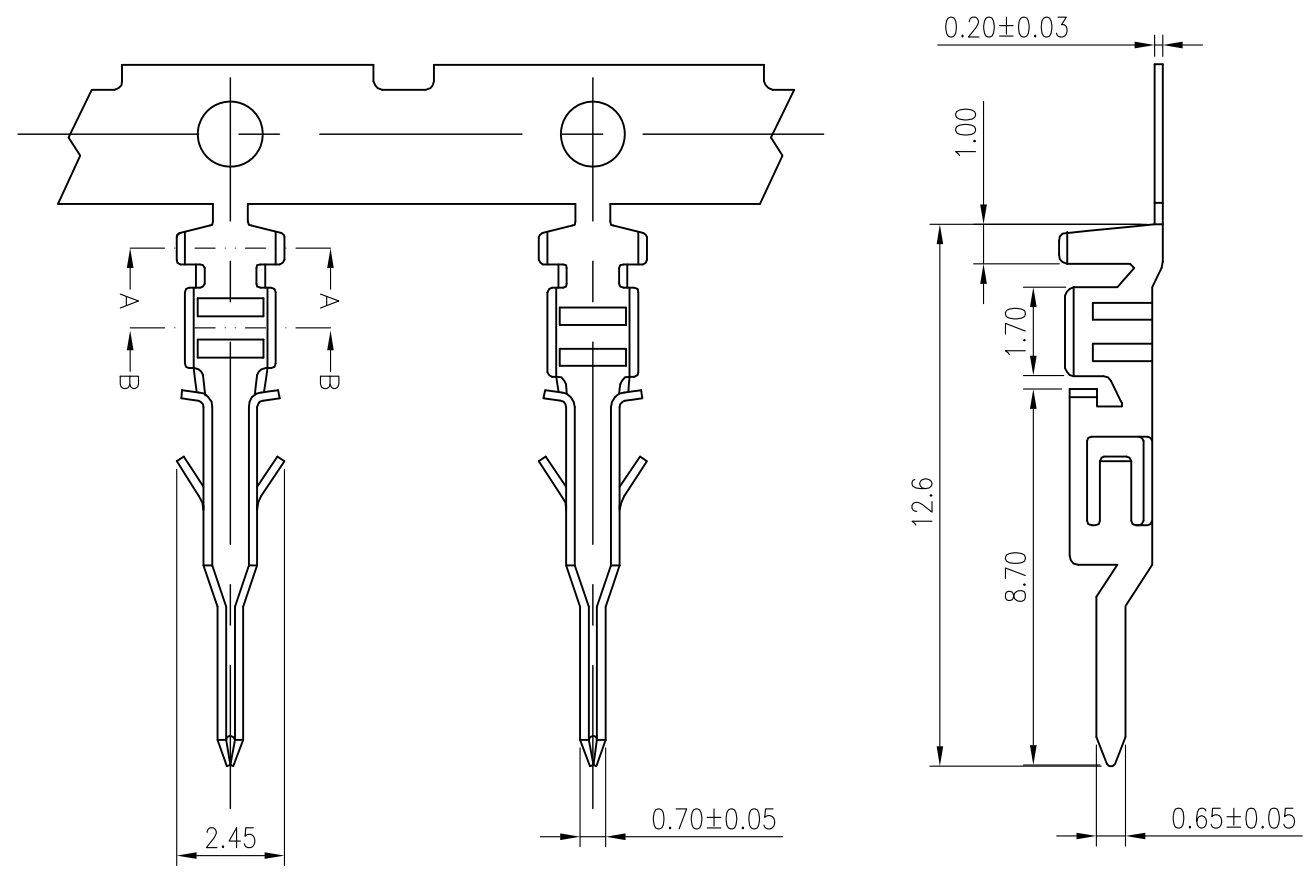

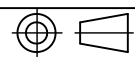


- ◆ SPECIFICATIONS
- Current rating: 5A AC, DC
 - Voltage rating: 250V AC, DC
 - Temperature range: -25°C ~ +85°C
 - Insulation resistance: 1000MΩ Min.
 - Withstanding voltage: 1500V AC/ minute.
 - Contact resistance: 10mΩ Max.

Terminal:
 Material: Phosphor Bronze
 Finish: Tin Plated over Nickel
 Applicable wires:
 AWG #28~#22
 Insulation O.D.: 1.80mm Max.
 Suitable: KR3000HM series Housing
 Qty/reel: 10,000PCS

B3000M * 5AA * 00
 T: 镀锡
 B: 半金
 L: 素材
 1: 先冲后镀
 3: 素材



F	△		GENERAL TOLERANCE		UNIT: mm		DATE		TITLE: MX 3.0 公 Terminal					
	△		.X ± 0.30	X° ± 1°	DRAWN: 闵昕皓		2016.04.01		 东莞市康瑞电子有限公司 Dongguan Konnra Electronics co., LTD.					
	△		.XX ± 0.20	.X° ±	CHECKED:							PROJECT	PART NO.	B3000MT5AA100
	△		.XXX ± 0.10	.XX° ±	APPROVED:				VER.	SCALE:	N/A			
LTR		NAME	DATE	VERISION RECORD				A1		SHEET:	1/1	 DRAWING NO. 3000TM01-5-S		
1		2		3		4		5		6		7	8	9