

1 2 3 4 5 6 7 8 9

A

B

C

D

E

F

A

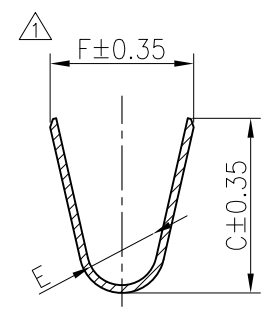
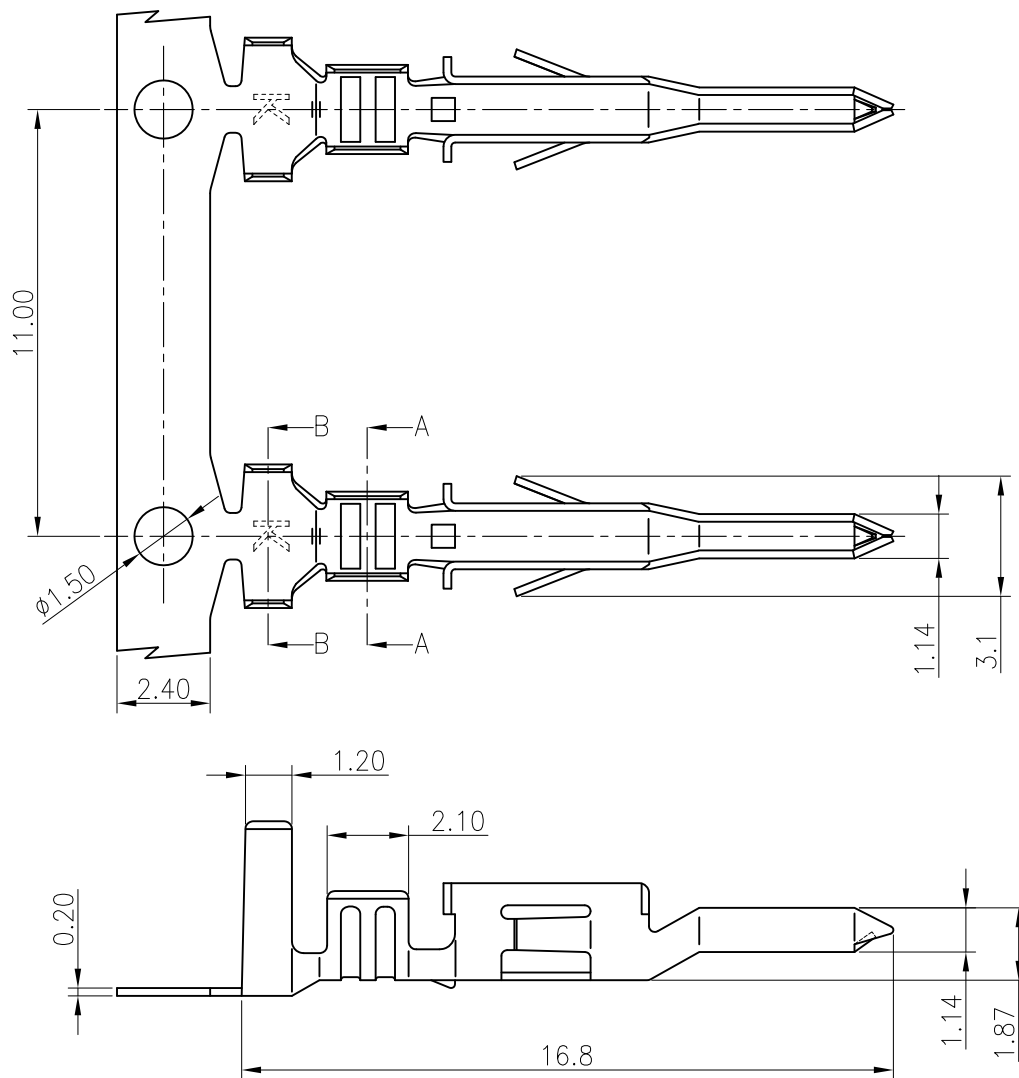
B

C

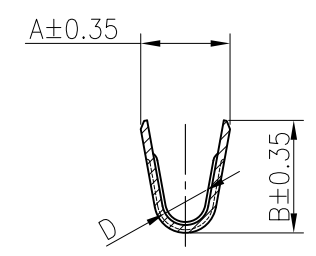
D

E

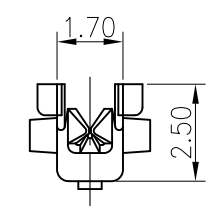
F



SECTION: B-B



SECTION: A-A



- ◆ SPECIFICATIONS
- Current rating: 9A AC, DC(AWG#16,2 Circuit)
 - Voltage rating: 600V AC,DC
 - Temperature range: -25°C ~ +85°C
 - Insulation resistance: 1000MΩ Min.
 - Withstanding voltage: 1500V AC/ minute.
 - Contact resistance: 20mΩ Max.

Material: Brass
 Plating: Tin plated over Nickel
 Applicable wire:
 Conductor size: See Table
 Insulation O.D.: See Table
 Q'ty/reel: 5,000pcs(short), 4500PCS(tall)

PART NO.: B4200FT7AB1*0
 1:TALL
 2:SHORT

TALL	2.30	2.90	4.50	1.2	1.8	3.70	#16~22	1.40~2.50
SHORT	2.00	2.30	3.70	1.0	1.8	3.30	#20~24	1.10~1.80
TYPE	A	B	C	D	E	F	WIRE RANGE	INS. O.D.

				GENERAL TOLERANCE	UNIT: mm		DATE	TITLE:	
				.X ± 0.35	X° ± 3°		DRAWN: 程如意	KR4200	
				.XX ± 0.25	.X° ±		CHECKED:	MX4. 2公端子	
				.XXX ± 0.10	.XX° ±		APPROVED:	VER. SCALE: 1:1	
LTR	ECN NO.	NAME	DATE	VERISION RECORD				B SHEET: 1/1	

 **东莞市康瑞电子有限公司**
 Dongguan Konnra Electronics co., LTD.

PROJECT:  PART NO.: B4200FT7AB1*0
 DRAWING NO.: 4200TM01-7-S

1 2 3 4 5 6 7 8 9