

R3G355-AM14-61

EC centrifugal fan

backward curved, single inlet



Nominal data

| | | |
|--------------------------|----------------------|------------|
| Type | R3G355-AM14-61 | |
| Motor | M3G084-FA | |
| Phase | | 1~ |
| Nominal voltage | [VAC] | 230 |
| Nominal voltage range | [VAC] | 200 .. 277 |
| Frequency | [Hz] | 50/60 |
| Type of data definition | | rfa |
| Speed | [min ⁻¹] | 1900 |
| Power input | [W] | 350 |
| Current draw | [A] | 1,5 |
| Min. ambient temperature | [°C] | -25 |
| Max. ambient temperature | [°C] | 40 |
| Air flow | [m ³ /h] | 3500 |
| Back pressure | [Pa] | 0 |
| Sound pressure level | [dB(A)] | 76 |

ml = max. load · me = max. efficiency · rfa = running at free air · cs = customer specs · cu = customer unit
Subject to alterations

R3G355-AM14-61

EC centrifugal fan

backward curved, single inlet

Technical features

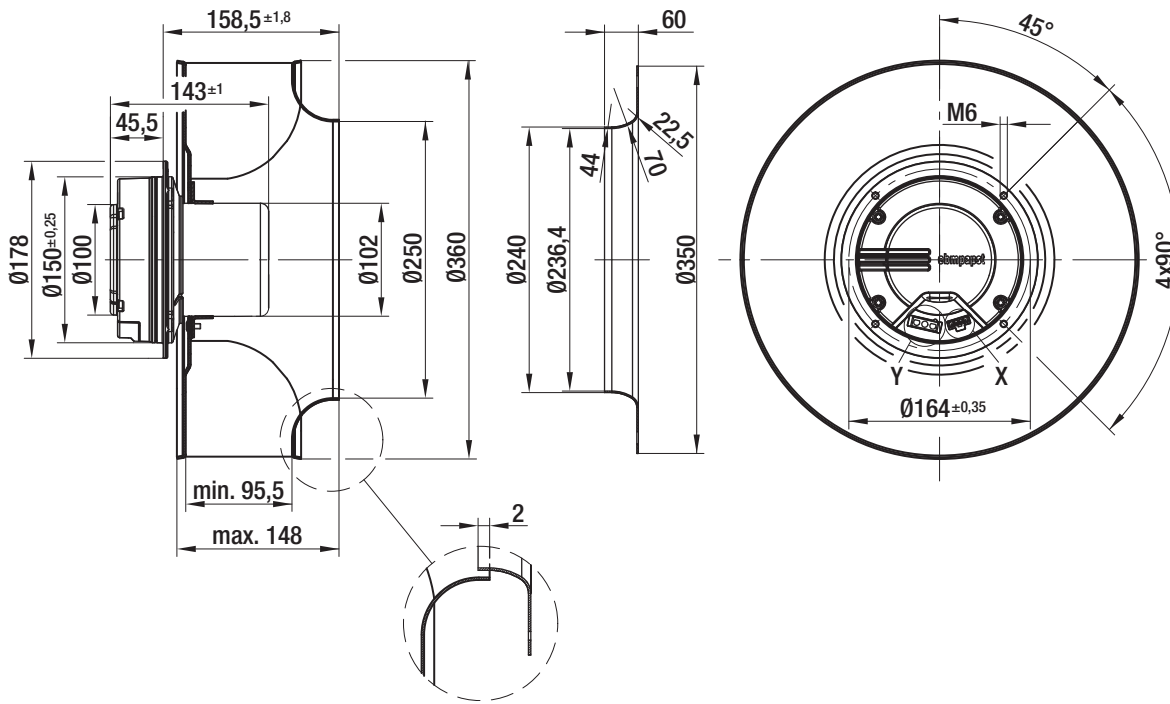
| | |
|---|---|
| Leakage current | <= 3,5 mA |
| General description | Integrated electronics |
| Size | 355 mm |
| Operation mode | Continuous operation (S1) |
| Direction of rotation | Clockwise, seen on rotor |
| Mounting position | Shaft horizontal or rotor on top; rotor on bottom on request |
| Electrical leads | With plug |
| EMC harmonics | Acc. to EN 61000-3-2/3 |
| EMC interference emission | Acc. to EN 61000-6-4 (industrial environment) |
| EMC interference immunity | Acc. to EN 61000-6-2 (industrial environment) |
| Insulation class | "B" |
| Condensate discharge holes | None |
| Bearing motor | Ball bearing |
| Mass | 5.37 kg |
| Material of electronics housing | Die-cast aluminium |
| Material of impeller | Aluminum sheet, laser-welded |
| Motor protection | Thermal overload protector (TOP) wired internally |
| Product conforming to standard | EN 61800-5-1 |
| Surface of rotor | Coated in black |
| Number of blades | 6 |
| Type of protection | IP 20 |
| Protection class | I |
| Technical features | <ul style="list-style-type: none">- Over-temperature protected electronics / motor- PFC, active- Integrated PID controller- RS485 ebmBUS- Motor current limit- Soft start- Line undervoltage / phase failure detection- Operation and alarm display: reversible voltage output 0 V / +15 V |
| Max. permissible ambient motor temp. (transp./ storage) | 80 |
| Min. permissible ambient motor temp. (transp./storage) | -40 |
| Approval | CCC; CSA C22.2 Nr.13; UL 507 |

R3G355-AM14-61

EC centrifugal fan

backward curved, single inlet

Product drawing

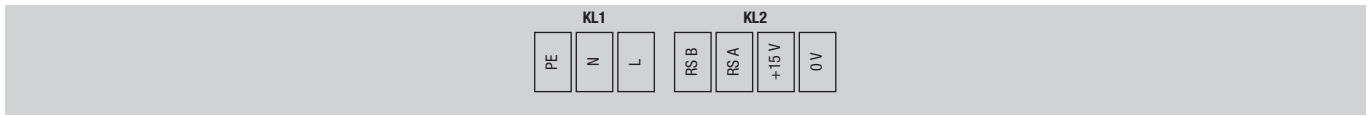


R3G355-AM14-61

EC centrifugal fan

backward curved, single inlet

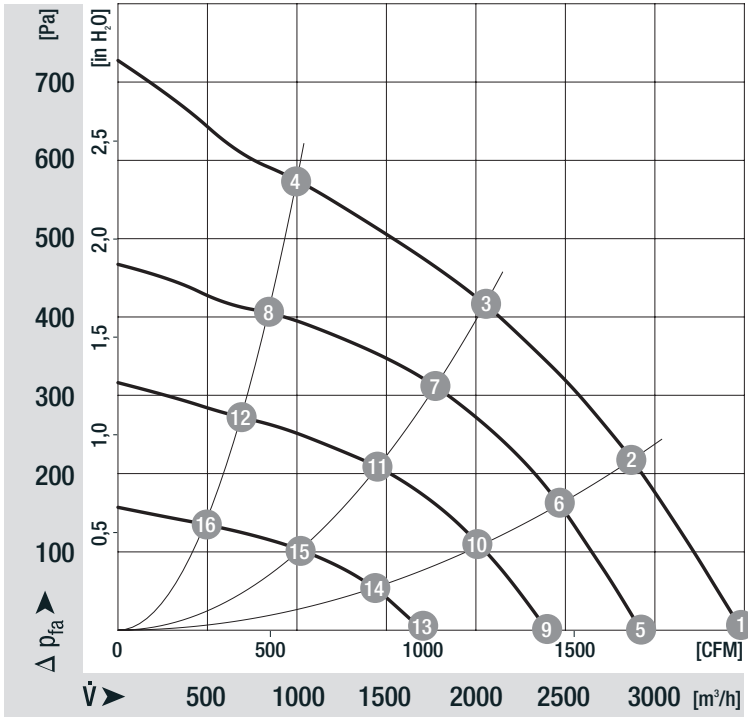
Connection screen



| Connector | Connection | Assignment / function |
|-----------|------------|-------------------------|
| KL1 | PE | Protective earth |
| | N | Mains 50/60 Hz, neutral |
| | L | Mains 50/60 Hz, phase |

| Connector | Connection | Assignment / function |
|-----------|------------|--------------------------------------|
| KL2 | RS B | RS485 interface for ebmBUS; RS B |
| | RS A | RS485 interface for ebmBUS; RS A |
| | +15 V | Operation: +15 V (50 mA); Alarm: 0 V |
| | 0 V | Operation: 0 V; Alarm: +15 V (50 mA) |

Charts: Air flow



Measured values

| | n | P ₁ | I | η _{TL} |
|----|----------------------|----------------|------|-----------------|
| | [min ⁻¹] | [W] | [A] | [%] |
| 1 | 1840 | 335 | 1.50 | |
| 2 | 1790 | 405 | 1.80 | 56 |
| 3 | 1770 | 430 | 1.90 | 70 |
| 4 | 1820 | 365 | 1.60 | 58 |
| 5 | 1540 | 200 | 0.90 | |
| 6 | 1540 | 256 | 1.10 | 56 |
| 7 | 1540 | 277 | 1.20 | 70 |
| 8 | 1540 | 235 | 1.00 | 58 |
| 9 | 1260 | 115 | 0.50 | |
| 10 | 1260 | 150 | 0.70 | 56 |
| 11 | 1260 | 159 | 0.70 | 70 |
| 12 | 1260 | 125 | 0.50 | 58 |
| 13 | 890 | 55 | 0.20 | |
| 14 | 890 | 67 | 0.30 | 56 |
| 15 | 890 | 70 | 0.30 | 70 |
| 16 | 890 | 59 | 0.30 | 58 |