

AC centrifugal blowers

dual inlet, Ø 146



- **Material:** scroll housing with integrated terminal box made of polypropylene, reinforced with French chalk - coloured in black (according to IEC 695 T2-2 and EN 60335-2-31), impeller made of galvanised sheet steel
- **Mounting:** EW-motor anti-vibration mounted on both sides
- **Design:** 4-step blower with external-rotor motor
- **Bearings:** calotte sleeve bearing (medium life-cycle of 15,000 h) - applicable only in horizontal axis
- **Capacitor:** Integrated in terminal box completely wired up and ready for plug-in. FPU (P2) capacitor design.
- **Direction of rotation:** counter-clockwise seen on plug
- **Type of protection:** IP20

ebm-papst · Mulfingen

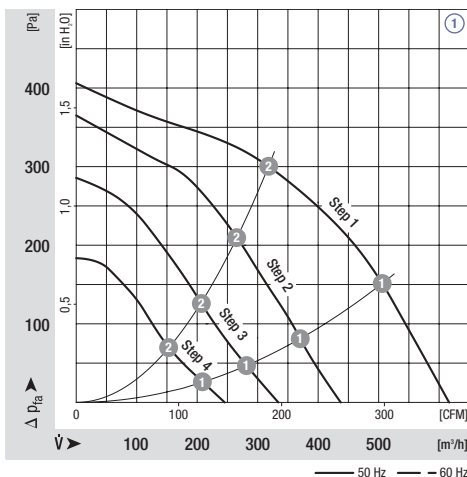
Nominal data		Characteristic	Voltage	Frequency	Air flow	Speed/rpm	Power input	Current draw	Capacitor	Noise level	Min. back pressure	Perm. amb. temp.	Mass
Type	Motor		VAC	Hz	m³/h	min⁻¹	W	A	µF/VDB	dB(A)	Pa	°C	kg
D2E 146-HR93 -01	M2E 068-CF	①	230	50	615	1050	150	0,66	4,0/400	52	0	50	3,0
			230	60	370	1750	165	0,73	4,0/400	63	220	50	
D2E 146-HS97 -01	M2E 068-DF	②	230	50	725	1450	200	0,88	5,0/400	58	50	50	3,5
			230	60	500	2000	215	0,95	5,0/400	63	250	50	

subject to alterations

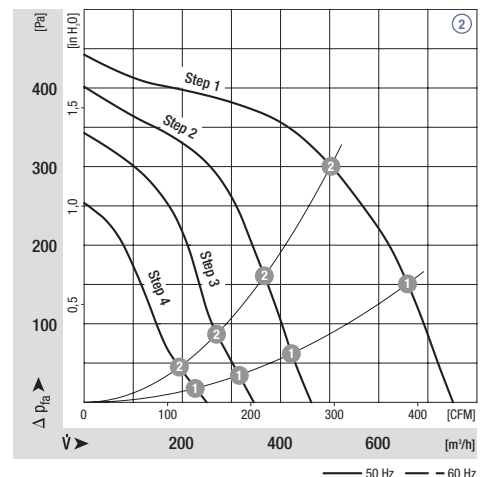
		n [min⁻¹]	P ₁ [W]	
①	①	Step 1	670	71
①	②	Step 1	1020	55
①	①	Step 2	890	83
①	②	Step 2	1380	79
①	①	Step 3	1150	100
①	②	Step 3	1780	90
①	①	Step 4	1540	143
①	②	Step 4	2130	130

		n [min⁻¹]	P ₁ [W]	
②	①	Step 1	560	94
②	②	Step 1	800	92
②	①	Step 2	820	108
②	②	Step 2	1200	105
②	①	Step 3	1150	127
②	②	Step 3	1610	118
②	①	Step 4	1715	190
②	②	Step 4	2120	173

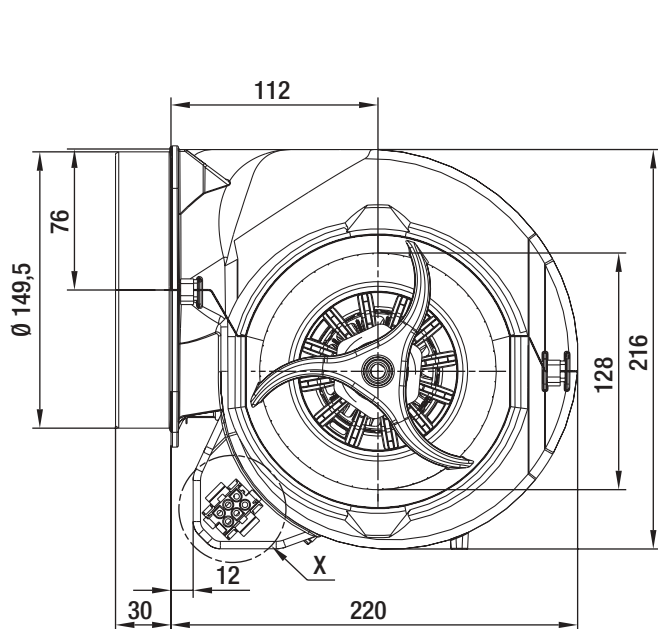
Characteristics



Characteristics

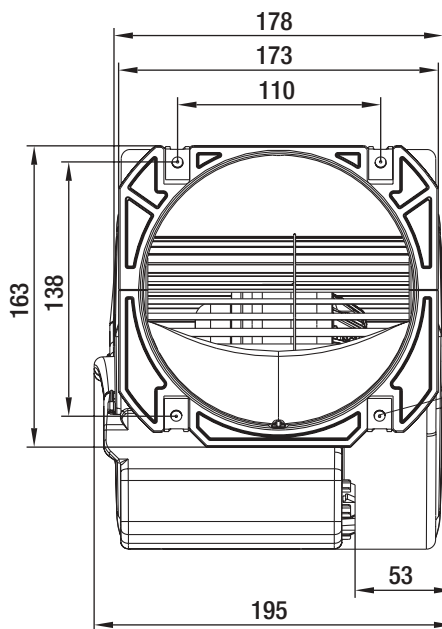
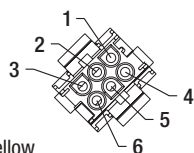


- **Insulation class:** "F"
- **Approvals:** VDE, CE; UL on request
- **Safety regulations:** with integrated temperature monitor and integrated FPU (P2) capacitor in keeping with EN 60335-2-31
- **Note:** Due to the capacitor connected, voltages exceeding 300 V can occur.



View X
 coded plug system AMP Universal-Mate-N-Lok
 connector shell AMP 926 682-3
 6 x plug pin AMP 926 886-1

- 1 = Step 1 (min.) white
- 2 = Step 2 red
- 3 = Step 3 grey
- 4 = Step 4 (max.) black
- 5 = N blue
- 6 = Ground wire green / yellow



Connection diagram
 When changing speeds,
 the switch must break
 the circuit.

