

252 N

DC axial compact fan



ebm-papst St. Georgen GmbH & Co. KG

Hermann-Papst-Straße 1

D-78112 St. Georgen

Phone +49 7724 81-0

Fax +49 7724 81-1309

info2@de.ebmpapst.com

www.ebmpapst.com

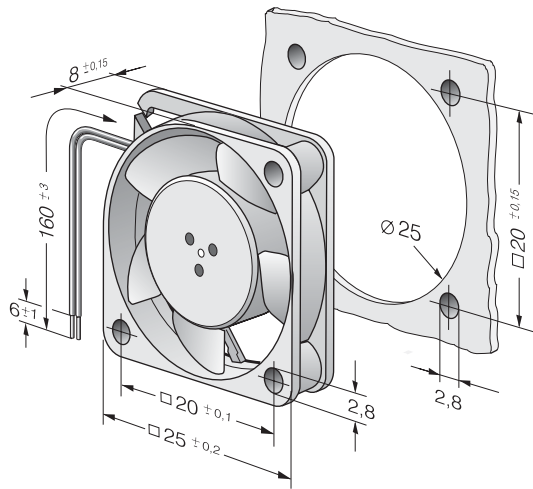
Nominal data

Type	252 N	
Nominal voltage	VDC	12
Nominal voltage range	VDC	10 .. 14
Speed	min ⁻¹	9000
Power input	W	0.5
Min. ambient temperature	°C	-10
Max. ambient temperature	°C	70
Air flow	m ³ /h	3.2
Sound power level	B	<3
Sound pressure level	dB(A)	15

ml = max. load · me = max. efficiency · fa = running at free air · cs = customer specs · cu = customer unit
Subject to alterations



Product drawing



Charts: Air flow

