

Instruction Manual

PROFESSIONAL SHOW LIGHT

LED XP1940 zoom



Unpacking: Thank you for purchasing the XP-1940. Every fixture has been thoroughly tested and has been shipped in perfect operating condition. Carefully check the shipping carton for damage that may have occurred during shipping. If the carton appears to be damaged, carefully inspect your fixture for any damage and be sure all accessories necessary to operate the unit has arrived intact. In the case damage has been found or parts are missing, please contact the manufacturer or your dealer for further instructions. Do not return this unit to your dealer without first contacting.

FOR YOUR OWN SAFETY, PLEASE READ THIS USER MANUAL CAREFULLY BEFORE POWERING OR INSTALLING VELLO XP-900 . SAVE IT FOR FUTURE REFERENCE.

Warning! To prevent or reduce the risk of electrical shock or fire, do not expose this unit to rain or moisture.

PLEASE consider that damages caused by manual modifications to the device are not subject to warranty.

Caution! There are no user serviceable parts inside this unit. Do not attempt any repairs yourself; doing so will void your manufactures warranty. In the unlikely event your unit may require service please contact the manufacturer or your dealer.

PLEASE recycle the shipping carton when ever possible.

General Instructions: To optimize the performance of this product, please read these operating instructions carefully to familiarize you with the basic operations of this unit. These instructions contain important safety information regarding the use and maintenance of this unit.

Features

- Multi-Colors
- Color Strobe
- Electronic Dimming 0-100%
- DMX-512 protocol
- Master/Slave synchronization
- LCD operation menu with function
- buttons
- Daisy Chain Units Together in DMX Mode
- 3 circles LED control

Safety Precautions

- To reduce the risk of electrical shock or fire, do not expose this unit to rain or moisture.
- Do not spill water or other liquids into or on to your unit.
- Be sure that the local power outlet match that of the required voltage for your unit.
- Do not attempt to operate this unit if the power cord has been frayed or broken. Do not attempt to remove or break off the ground prong from the electrical cord. This prong is used to reduce the risk of electrical shock and fire in case of an internal short.
- Disconnect from main power before making any type of connection.
- Do not remove the cover under any conditions. There are no user serviceable parts inside.
- Never operate this unit when it's cover is removed.
- Never plug this unit in to a dimmer pack.

- Always be sure to mount this unit in an area that will allow proper ventilation. Allow about 6" (15cm) between this device and a wall.
- Do not attempt to operate this unit, if it becomes damaged.
- This unit is intended for indoor use only; use of this product outdoors voids all warranties.
- During long periods of non-use, disconnect the unit's main power.
- Always mount this unit in safe and stable matter.
- Power-supply cords should be routed so that they are not likely to be walked on or pinched by items placed upon or against them, paying particular attention to the point they exit from the unit.
- Cleaning -The fixture should be cleaned only as recommended by the manufacturer. See "Cleaning" for details.
- Heat -The appliance should be situated away from heat sources such as radiators, heat registers, stoves, or other appliances (including amplifiers) that produce heat.
- The fixture should be serviced by qualified service personnel when:
 - A. The power-supply cord or the plug has been damaged.
 - B. Objects have fallen, or liquid has been spilled into the appliance.
 - C. The appliance has been exposed to rain or water.
 - D. The appliance does not appear to operate normally or exhibits a marked change in performance.

Technical Specifications

Electrical

Power supply:.....electronic auto-ranging
 Input voltage range:.....supply 90-250V, 50/60Hz
 Fuse:..... 5 A@230V
 Power consumption:.....600W@230V

Optic

Light source: TW (RGBW 40W) LED X19PCS
 LED life expectancy: 100,000 hours
 Dimmer level: 16bit linear dimming from 0-100%
 8-class color temperatures from 2800K-8500K
 6° -50° linear zoom
 9 circles LED control+millions mixing colors

Motorized

Pan/Tilt
 Pan movement range: 540°
 Tilt movement range: 310°
 16 bit movement resolution
 Automatic Pan/Tilt position correction
 Pan movement 0°-450°at max.....Speed: 2.2 sec.
 Tilt movement 0°-300°at max..... Speed: 1.2 sec.

LCD operation
 Built-in demo sequences

Silent fans cooling
 Strong three-phase motors
 Stand-alone operation
 Supported protocols: DMX512
 2 DMX modes (16, 28 control channels)

Connection

DMX data in/out: Locking 3-pin/ 5-pin XLR
 AC power input: 1.5m power cord with plug

Rigging

Mounting points: 2 pairs of 1/4-turn locks
 Mounting horizontally or vertically via 2 Omega brackets

Temperatures

Maximum ambient temperature: 45°C
 Maximum housing temperature: 75°C

Minimum distances

Min. distance from flammable surfaces: 3.0m
 Min. distance to lighted object: 2.0m


Total heat dissipation: 1350 BTU/h (calculated)
 Pack size:362(L) x 240(W) x 500(H) mm
 Weight (net): 14.6kg
 Warranty: 1 Year

Set Up:

Power Supply: Before plugging your unit in, be sure the source voltage in your area matches the required voltage for the fixture, The model is Auto power supply, It is workable in 90-250V/50~60Hz. Please make sure your unit voltage matches the wall outlet voltage before attempting to operate you fixture.

Connection to the mains

For protection from electric shock, the fixture must be earthed!
 Install a suitable plug on the power cord, note that the cores in the power cord are colored according to the following table. The earth has to be connected!
 If you have any doubts about proper installation, consult a qualified electrician.

Core (EU)	Core (US)	Connection	Plug Terminal Marking
Brown	Black	Live	L
Light blue	White	Neutral	N
Yellow/Green	Green	Earth	

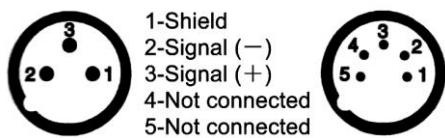
DMX512 connection

The fixture is equipped with both 3-pin or 5-pin XLR sockets for DMX input and output. The sockets are wired in parallel.
 Only use a shielded twisted-pair cable designed for RS-485 and 3-pin or 5-pin XLR-plugs and connectors

in order to connect the controller with the fixture or one fixture with another.

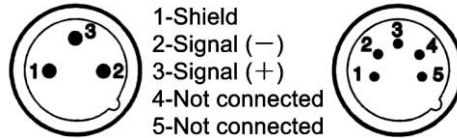
DMX-output

XLR mounting-sockets (rear view):



DMX-input

XLR mounting-plugs (rear view):

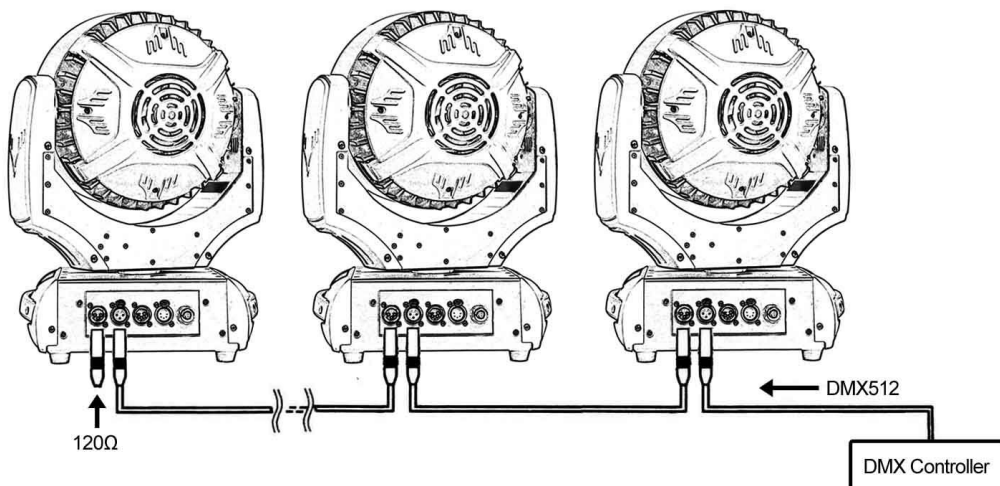


DMX Linking: To ensure proper DMX data transmission, when using several DMX fixtures try to use the shortest cable path possible. The order in which fixtures are connected in a DMX line does not influence the DMX addressing. For example; a fixture assigned a DMX address of 1 may be placed anywhere in a DMX line, at the beginning, at the end, or anywhere in the middle. When a fixture is assigned a DMX address of 1, the DMX controller knows to send DATA assigned to address 1 to that unit, no matter where it is located in the DMX chain.

Building a serial DMX-chain:

Connect the DMX-output of the first fixture in the DMX-chain with the DMX-input of the next fixture. Always connect one output with the input of the next fixture until all fixtures are connected.

Caution: At the last fixture, the DMX-cable has to be terminated with a terminator. Solder a 120Ω resistor between Signal (-) and Signal (+) into a 3-pin XLR-plug and plug it in the DMX-output of the last fixture.



Operating Modes: You can use the LED XP-1940 in 3 ways:

- Auto Mode - The unit automatically chase through the different colors and built-in programs.
- Slave Mode – The unit is available work by slave mode.
- DMX control mode - This function allows you to control each individual fixtures traits with a standard DMX 512 controller.

DMX Mode: Operating through a DMX controller give the user the freedom to create their own programs tailored to their own individual needs. This function also allows you to use your fixtures as spot lights.

1. This function will allow you to control each individual fixture's traits with a standard DMX 512 controller.
2. The fixture uses 16/28 DMX channels (RGBW version) to operate. Please see "DMX Values and Functions" for the DMX traits.
3. To run your fixture in DMX mode, plug in the fixture via the XLR connections to any standard DMX controller. Set your desired DMX address following the setup specifications that come with your DMX controller.

DISPLAY MENU

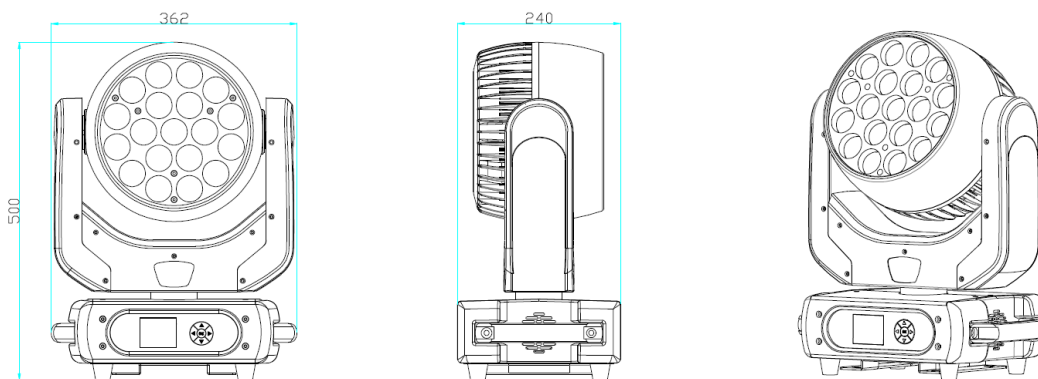


DMX CHANNEL CHART:

Reduced Mode	Standard Mode	Value	Function
1	1	Dimmer	
		0-255	0-100%
2	2	Strobe	
		0-3	Close
		4-103	Strobe
		104-107	Open
		108-207	Pulse Strobe
		208-212	Open
		213-251	Random Strobe
		252-255	Open
3	3	Pan	
		0-255	0-100%
4	4	Fine Pan	
		0-255	0-100%
5	5	Tilt	
		0-255	0-100%
6	6	Fine Tilt	
		0-255	0-100%
7	7	Pan/Tilt Speed	
		0-255	Fast-Slow
8	8	Fade Scroll	
		0-3	No function
		4-255	Fade Scroll Slow to Fast
9	9	Chase Scroll	
		0-3	No function
		4-255	Chase Scroll Slow to Fast
10	10	CTO	
		0-22	No Function
		23-45	2800K
		46-68	3200K
		69-91	3600K
		92-114	4500K
		115-137	5000K
		138-160	5600K
		161-183	6200K
		184-206	6800K
		207-229	7500K
		230-255	8500K
11	11	Red Color Intensity	

		0-255	0-100%
12	12	Green Color Intensity	
		0-255	0-100%
13	13	Blue Color Intensity	
		0-255	0-100%
14	14	White Color Intensity	
		0-255	0-100%
15	15	Zoom	
		0-255	0-100%
16	16	Reset	
		0-99	No function
		100-149	Pan/Tilt Reset
		150-199	Zoom Reset
		200-255	All Reset
	17	Circle 1 LED	
		0-255	0-100% Red color Intensity
	18	Circle 1 LED	
		0-255	0-100% Green color Intensity
	19	Circle 1 LED	
		0-255	0-100% Blue color Intensity
	20	Circle 1 LED	
		0-255	0-100% White color Intensity
	21	Circle 2 LED	
		0-255	0-100% Red color Intensity
	22	Circle 2 LED	
		0-255	0-100% Green color Intensity
	23	Circle 2 LED	
		0-255	0-100% Blue color Intensity
	24	Circle 2 LED	
		0-255	0-100% White color Intensity
	25	Circle 3 LED	
		0-255	0-100% Red color Intensity
	26	Circle 3 LED	
		0-255	0-100% Green color Intensity
27	Circle 3 LED		
	0-255	0-100% Blue color Intensity	
28	Circle 3 LED		
	0-255	0-100% White color Intensity	

Chart Size(362 Lx240 Wx500H)mm



Rigging the fixture

Caution: Fixture may cause severe injuries when crashing down! If you have doubts concerning the safety of a possible installation, do not install the moving head!

Before rigging make sure that the installation area can hold a minimum point load of 10 times the fixture's weight.

When installing the device, make sure there is no highly inflammable material (decoration articles, etc.) in a distance of min. 1.0 m.

CAUTION!

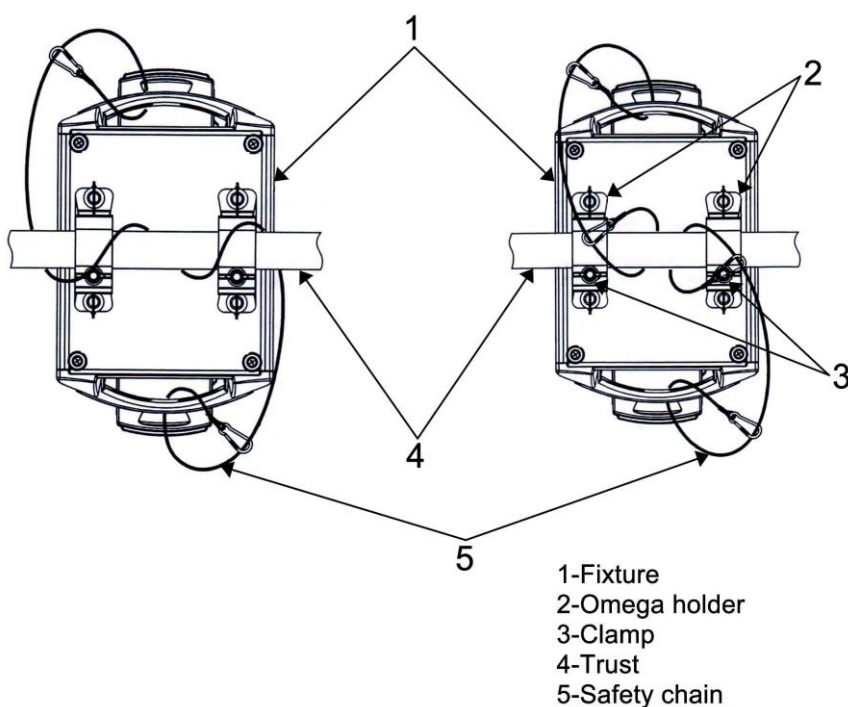
Use an appropriate clamp to ring the fixture on the truss.

Follow the instructions mentioned at the bottom of the base.

Make sure that the device is fixed properly! Ensure that the structure (truss) to which you are attaching the fixtures is secure.

Securing the fixture via one safety wire

Securing the fixture via two safety wires



Cleaning

Due to fog residue, smoke, and dust cleaning the internal and external optical lenses must be carried out

periodically to optimize light output.

1. Use normal glass cleaner and a soft cloth to wipe down the outside casing.
2. Clean the external optics with glass cleaner and a soft cloth every 20 days.
3. Always be sure to dry all parts completely before plugging the unit back in.

Cleaning frequency depends on the environment in which the fixture operates (i.e. smoke, fog residue, dust, dew).

Unit not respond to DMX:

1. Check that the DMX cables are connected properly and are wired correctly (pin 3 is “hot”; on some other DMX devices pin 5 may be ‘hot’). Also, check that all cables are connected to the right connectors; it does matter which way the inputs and outputs are connected.

Note: All information is subject to change without prior notice.