

Instruction Manual

PROFESSIONAL SHOW LIGHT

TV 600(2in1)



Unpacking: Thank you for purchasing TV600(2in1). Every unit has been thoroughly tested and has been shipped in perfect operating condition. Carefully check the shipping carton for damage that may have occurred during shipping. If the carton appears to be damaged, carefully inspect your fixture for any damage and be sure all accessories necessary to operate the unit has arrived intact. In the case damage has been found or parts are missing, please contact the manufacturer or your dealer for further instructions. Do not return this unit to your dealer without first contacting.

Caution! There are no user serviceable parts inside this unit. Do not attempt any repairs yourself; doing so will void your manufactures warranty. In the unlikely event your unit may require service please contact the manufacturer or your dealer.

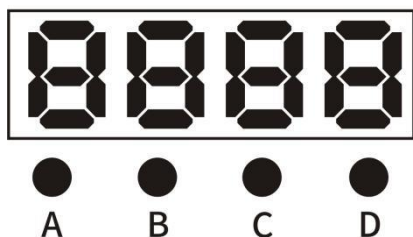
PLEASE recycle the shipping carton when ever possible.

General Instructions: To optimize the performance of this product, please read these operating instructions carefully to familiarize you with the basic operations of this unit. These instructions contain important safety information regarding the use and maintenance of this unit.

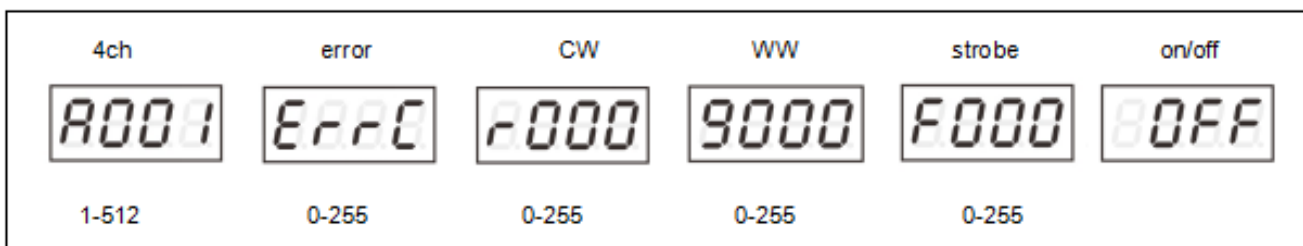
Main Control Menu

The control board on the fixture base is your interface to access and control all functions on the unit, its screen display gives you a code view of functions

1.Menu display:



- A. Menu
- B. Plus
- C. Minus
- D. Enter

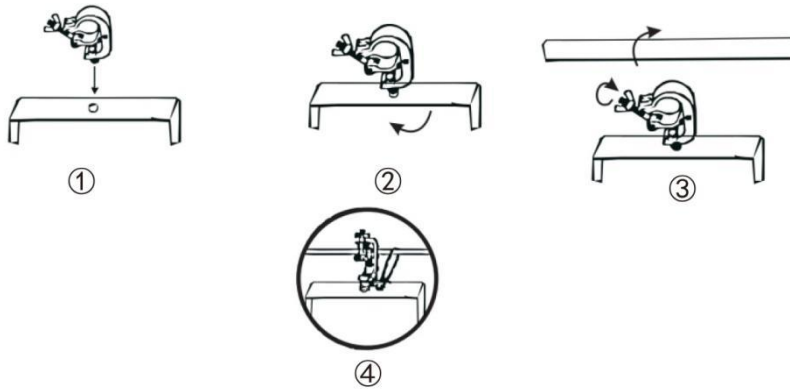


2. CHANNEL(4ch)

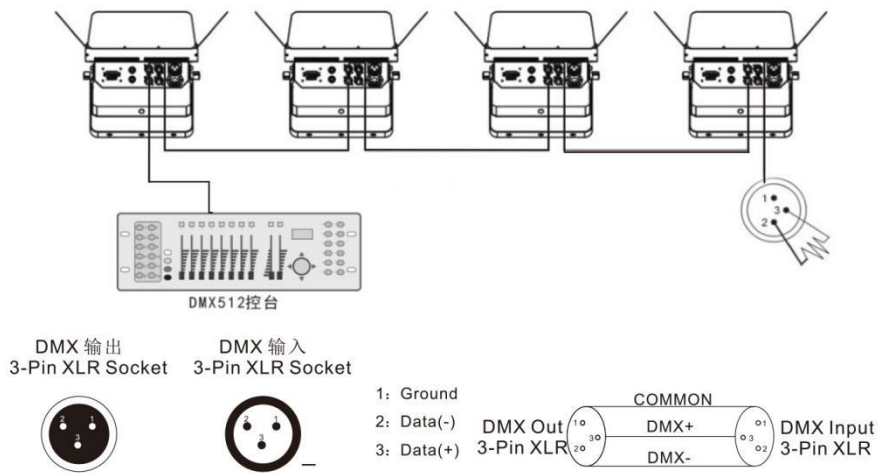
Channels	Function	Instruction
1	DIMMER	0-255
2	WW	0-255
3	CW	0-255
4	STROBE	From slow to fast

3. INSTALLATION

1. Install the clamp on the fixture bracket, checking if its bracket is tightened
2. Ensure that the load-bearing capacity of truss is more than 10 times of the fixture weight.
3. Use the safety rope to lock the lamp and truss. The safety rope used shall be able to carry more than 10 times the weight of the fixtures.



4. DMX CONNECTION:



Specification:

Voltage: AC 100~250V, 50Hz

Power: 300W

Gray level: 20000

LED Source: TW 0.5w SMD 5730 LED*600PCS,
CW 300pcs*, WW 300PCS

HRI : Ra>95

LED digital display

Color temperature : 3000K-6000K

LED life : more than 50000 hours

Control mode: DMX 512 control, manual, master-slave

Dimmer : 0-100% linear

Housing: aluminum alloy

Channel: 4CH

IP rated: IP20

Size: 590*345*105mm

Weight: 10.25KG

Maintenance:

In order to maintain the best performance and life of the product, please always clean and check the product. It is advisable to clean up at least once a month. Clean should pay attention to the power is in disconnected state , with a soft cotton cloth wipe soft plate.

Line detection and signal lines should be regularly detected, the test should be carried out by a professionals to maintain.

During the inspection process, be sure to focus on the following points.

1. To ensure that all the power supply is dry, without an exposed.
2. To ensure that all the hanging installation of the relevant screws and components are closely linked, can not appear wear and corrosion.
3. All cables can not wear and aging phenomenon.
4. Accessories and cable corrosion aging phenomenon, please immediately replace.
5. The product can not be used immediately should be replaced immediately.

Fault diagnosis

The following troubleshooting guide can help you solve some of the simple problems that arise during use. If the reference fails to solve the problem, please do not disassemble the equipment.

Unauthorized removal of equipment, will no longer be able to enjoy the warranty service provided by the business. Should contact the local dealer to the designated service point repair or return to the manufacture or maintenance.

This table is in the course of the use of the common problems encountered, you can use the reference.

Note: All information is subject to change without prior notice.