

User Manual

LED Solar Par(CW/WW/UV)



Introduction

Unpacking: Thank you for purchasing LED solar par, Every unit has been thoroughly tested and shipped in perfect condition. Carefully check the shipping carton for damage that may have occurred during shipping. If the carton appears to be damaged, carefully inspect your unit for any damage and be sure all accessories necessary to operate the unit has arrived intently. In the case damage has been found or parts are missing, please contact the manufacturer or your dealer for further instructions. Do not return this unit to your dealer without any warning.



Read all cautions and warnings
prior to operation of this
equipment

Protection Against Fire



Fire

1. Maintain a minimum of 1 50cm distance from any type of flame
2. Replace fuse only with the specified type and rating
3. Do not install the unit to close a heat source
4. Make sure cable are properly secured away from unit movement
5. Maximum surface operating temperature 80°

Protection Against Electrical



Electrical

1. Disconnect power before servicing
2. The unit must be earthed (electronically grounded)

Protection Against Mechanical Hazards



Mechanical

1. Use safety chain when hanging unit
2. Use quality clamps or bolts when positioning unit
3. Do not open unit while it is on, risk of electrical shock

Features

- WW, CW . UV Colors
- IP65, outdoor
- Electronic Dimming 0-100%
- Daisy Chain Units together in DMX Mode
- Master/Slave synchronization
- LCD operation menu
- DMX-512 protocol
- Waterproof , IP65

Safety Precautions

- Be sure that the local power outlet match that of the required voltage for your unit,
- Do not attempt to operate this unit if the power cord has been frayed or broken. Do not attempt to

remove or break off the ground prong from the electrical cord. This prong is used to reduce the risk of electrical shock and fire in case of an internal short.

- Disconnect from main power before making any type of connection.
- Do not remove the cover under any conditions. There are user serviceable parts inside.
- Never operate this unit when its rear cover is removed.
- Never plug this unit into a dimmer pack.
- Always be sure to mount this unit in an area that will allow proper ventilation. Allow about 6" (15cm) between this device and a wall.
- Do not attempt to operate this unit, if it becomes damaged.
- During long periods of non-use, disconnect the units main power.
- Always mount this unit in safe and stable matter.
- Power-supply cords should be routed so that they are not likely to be walked on or pinched by items placed upon or against them, paying particular attention to the point they exit from the unit.
- Cleaning unit should be cleaned only as recommended by the manufacturer. See 'Cleaning" for details.
- Heat –The appliance should be situated away from heat sources such as radiators, heat registers, stoves, or other appliances (including amplifiers) that produce heat.
- The unit should be serviced by qualified service personnel when:
 - A. The power-supply cord or the plug has been damaged.
 - B. Objects have fallen, or liquid has been spilled into the appliance.
 - C. The appliance has been exposed to rain or water.
 - D. The appliance does not appear to operate normally or exhibits s marked change in performance.

DMX Linking: To ensure proper DMX data transmission, when using several DMX units try to use the shortest cable path possible. The order in which units are connected in a DMX line does not influence the DMX addressing. For example; a unit assigned a DMX address of 1 may be placed anywhere in a DMX line, at the beginning, at the end, or anywhere in the middle. When a unit is assigned a DMX address of 1, the DMX controller knows to send DATA assigned to address 1 to that unit, no matter where it is located in the DMX chain.

Operating Modes:

- Stand-alone – This function allows the unit works built-in program without console.
- Master/Slave – This function allows you set unit be Master/Slave.
- DMX 512 control - This function allows you to operate the unit via standard dmx 512 protocol

Main Control Menu

The control board on the fixture base is your interface to access and control all functions on the unit, Its LCD screen display gives you a code vide of function

Touch Buttons: There are four buttons under the LCD display below:



There are four touch buttons under the display: Menu, Up, Down, Enter. Normally, the LCD will display the current DMX address code of the fixture. At this time, presses up and down to choose the functions you want.

Menu Map

1.地址码 Address	001-512	
2.通道模式 Channel Mode	1 通道 1CH	
	2 通道 2CH	
3.调光曲线 Dimmer Curve	曲线 1 Curve1	
	曲线 2 Curve2	
	曲线 3 Curve3	
4.关光时间(ms) Blackout Time	000-150	
5.手动控制 Macro	调光 Dimmer	000-255
6.系统语言 Language	中文 Chinses	
	English	
7.灯具使用时间 Device Time		
8.关于 About	1.Soft Ver	1.0.1
	2.RDM	

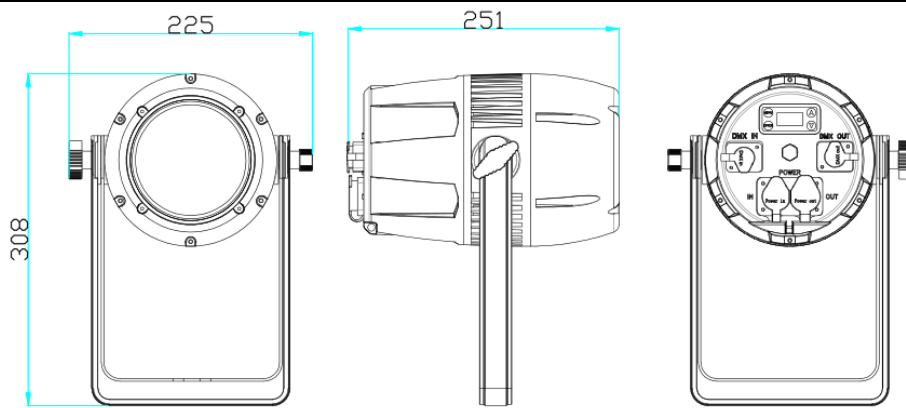
DMX Chart: 1 Channel

Channel	Name	DMX Value	Description
1	Dimmer	000-255	0-100% Dimmer Intensity

2 Channel

Channel	Name	DMX Value	Description
1	Dimmer	000-255	0-100% Intensity
2	Strobe	0-3	Closed
		4-255	Variable Strobe

Fixture Dimension(251x225x308mm):



Cleaning

Due to fog residue, smoke, and dust cleaning the internal and external optical lenses must be carried out periodically to optimize light output.

1. Use normal glass cleaner and a soft cloth to wipe down the outside casing.
2. Clean the external optics with glass cleaner and a soft cloth every 20 days.
3. Always be sure to dry all parts completely before plugging the unit back in.

Cleaning frequency depends on the environment in which the fixture operates (i.e. smoke, fog residue, dust, dew)

Specifications

Model: LED Solar Par CW/ WW/ UV

Power consumption: 150W

Voltage: 90-250V / 50~60Hz

Working Position: Any safe working position

Lamp: 100W CW/WW/UV LED X1pcs

Lens: standard 50°, 15deg, 30deg optional

DMX Channel: 1/2 channels

Dia-casting aluminum housing

Optional accessories: barn-door, flight case etc

Protection rating: IP65

Net Weight: 4.3Kgs

Warranty: 1 Year

Note: All information is subject to change without prior notice.