

User Manual — LED Slimbar 941(pixel)



Introduction

Unpacking: Thank you for purchasing the LED Slimbar941 pixel. Every unit has been thoroughly tested and shipped in perfect condition. Carefully check the shipping carton for damage that may have occurred during shipping. If the carton appears to be damaged, carefully inspect your unit for any damage and be sure all accessories necessary to operate the unit has arrived intact. In the case damage has been found or parts are missing, please contact the manufacturer or your dealer for further instructions. Do not return this unit to your dealer without any warning.

General Instructions

To optimize the performance of this product, please read these operating instructions carefully to familiarize you with the basic operations of this unit. These instructions contain important safety information regarding the use and maintenance of this unit. Please keep this manual with the unit for future reference.

Features

- Multi-Colors
- Color Strobe
- Electronic Dimming 0-100%
- Daisy Chain Units together in DMX Mode
- Master/Slave synchronization
- LED operation menu
- DMX-512 protocol
- With individual control

Safety Precautions

- Be sure that the local power outlet match that of the required voltage for your unit,
- Do not attempt to operate this unit if the power cord has been frayed or broken. Do not attempt to remove or break off the ground prong from the electrical cord. This prong is used to reduce the risk of electrical shock and fire in case of an internal short.
- Disconnect from main power before making any type of connection.
- Do not remove the cover under any conditions. There are user serviceable parts inside.
- Never operate this unit when its rear cover is removed.
- Never plug this unit into a dimmer pack.
- Always be sure to mount this unit in an area that will allow proper ventilation. Allow about 6" (15cm) between this device and a wall.
- Do not attempt to operate this unit, if it becomes damaged.
- During long periods of non-use, disconnect the units main power.
- Always mount this unit in safe and stable matter.

- Power-supply cords should be routed so that they are not likely to be walked on or pinched by items placed upon or against them, paying particular attention to the point they exit from the unit.
- Cleaning unit should be cleaned only as recommended by the manufacturer. See ‘Cleaning’ for details.
- Heat –The appliance should be situated away from heat sources such as radiators, heat registers, stoves, or other appliances (including amplifiers) that produce heat.
- The unit should be serviced by qualified service personnel when:
 - A. The power-supply cord or the plug has been damaged.
 - B. Objects have fallen, or liquid has been spilled into the appliance.
 - C. The appliance has been exposed to rain or water.
 - D. The appliance does not appear to operate normally or exhibits a marked change in performance.

DMX Linking: To ensure proper DMX data transmission, when using several DMX units try to use the shortest cable path possible. The order in which units are connected in a DMX line does not influence the DMX addressing. For example; a unit assigned a DMX address of 1 may be placed anywhere in a DMX line, at the beginning, at the end, or anywhere in the middle. When a unit is assigned a DMX address of 1, the DMX controller knows to send DATA assigned to address 1 to that unit, no matter where it is located in the DMX chain.

Operating Instructions

Operating Modes: You can use the unit in 3 ways:

- Auto Mode-The unit will automatically chase through the different colors.
- DMX control mode – This function will allow you to control each individual units traits with a standard DMX 512 controller.
- Master-slave mode – One unit will work as the master in the one of the above three modes, other units in the chain will work in synchronization towards the master.

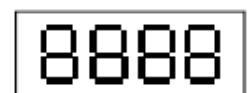
DMX Mode: Operating through a DMX controller give the user the freedom to create their own programs tailored to their own individual needs. This function also allows you to use your units as spot lights.

1. This function will allow you to control each individual unit’s traits with a standard DMX 512 controller.
2. The unit 4/7/36/39 DMX channels mode to operate. Please see “DMX channels/function/ description/ value” for the DMX traits.
3. To run your unit in DMX mode, plug in the unit via the XLR connections to any standard DMX controller. Set your desired DMX address following the setup specifications that come with your DMX controller.

Main Control Menu

The control board on the fixture base is your interface to access and control all functions on the unit, Its digital display gives you a code vide of functions and options as below:

CONTROL BOARD



DMX Address	Channel Mode	Control Mode	Display Light	Display Direction	Extended mode
1-511	4-7-36-39CH	Master/Slave	ON-OFF	Normal- Reversed	ON/OFF

Display Menu

Main Menu	Submenu	Functions
-----------	---------	-----------

<i>Addr</i>	<i>ADD1</i>	DMX Address
<i>chnd</i>	<i>-4CH</i>	4 Channels model
	<i>-7CH</i>	7Channels model
	<i>36CH</i>	36 Channels model
	<i>39CH</i>	39 Channels model
<i>SLnd</i>	<i>NR5F</i>	Master
	<i>SLR0</i>	Slave
<i>LED-</i>	<i>-on-</i>	Digital display light is keeping ON
	<i>-off</i>	Digital display light is OFF after 30s
<i>dISP</i>	<i>dISP</i>	Normal display
	<i>d5IP</i>	Reversed display
<i>nan-</i>	<i>-on-</i>	Show channels
	<i>-off</i>	Hide channels

LED Slimbar 941 pixel Mode 4CH

DMX Channel	Function	Description	Value
1	LED Color	Red LED intensity	0-255
2	LED Color	Green LED intensity	0-255
3	LED Color	Blue LED intensity	0-255
4	LED Color	White LED intensity	0-255

LED Slimbar 941 pixel Mode 7CH

DMX Channel	Function	Description	Value
1	Dimmer	Dimmer Off to Full	0-255
2	Strobe	Strobe(slow to fast)	0-255
3	Macro	Built-in programs	0-255
4	LED Color	Red LED intensity	0-255
5	LED Color	Green LED intensity	0-255
6	LED Color	Blue LED intensity	0-255
7	LED Color	White LED intensity	0-255

LED Slimbar 941 pixel Mode 72CH

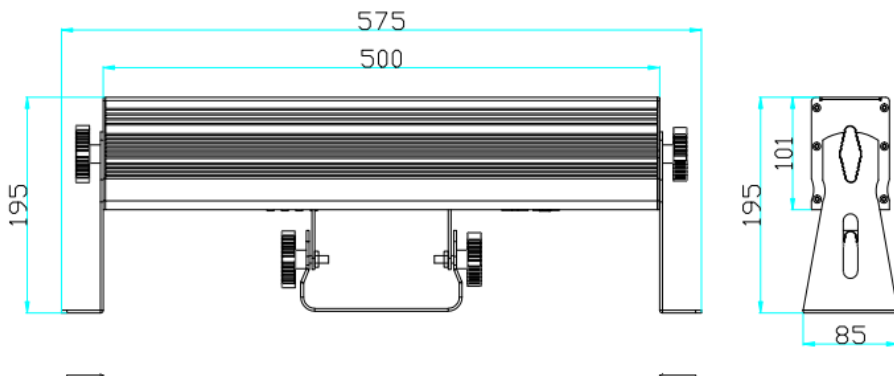
DMX Channel	Function	Description	Value
1	LED Color	1 st Red LED intensity	0-255

2	LED Color	1 st Green LED intensity	0-255
3	LED Color	1 st Blue LED intensity	0-255
4	LED Color	1 st White LED intensity	0-255
*****	*****	*****	*****
33	LED Color	9 th Red LED intensity	0-255
34	LED Color	9 th Green LED intensity	0-255
35	LED Color	9 th Blue LED intensity	0-255
36	LED Color	9 th White LED intensity	0-255

LED Slimbar941 pixel Mode 39CH

DMX Channel	Function	Description	Value
1	Dimmer	Dimmer Off to Full	0-255
2	Strobe	Strobe(slow to fast)	0-255
3	Macro	Built-in programs	0-255
4	LED Color	1 st Red LED intensity	0-255
5	LED Color	1 st Green LED intensity	0-255
6	LED Color	1 st Blue LED intensity	0-255
7	LED Color	1 st White LED intensity	0-255
*****	*****	*****	*****
36	LED Color	9 th Red LED intensity	0-255
37	LED Color	9 th Green LED intensity	0-255
38	LED Color	9 th Blue LED intensity	0-255
39	LED Color	9 th White LED intensity	0-255

Drawing Size(mm)



Cleaning

Due to fog residue, smoke, and dust cleaning the internal and external optical lenses must be carried out periodically to optimize light output.

1. Use normal glass cleaner and a soft cloth to wipe off the outside casing.
2. Clean the external optics with glass cleaner and a soft cloth every 20 days.

3. Always be sure to dry all parts completely before plugging the unit back in. Cleaning frequency depends on the environment in which the unit operates (i.e. smoke, fog residue, dust, dew).

Trouble Shooting

Listed below are a few common problems the user may encounter, with solutions.

Unit not responding to DMX:

1. Check that the DMX cables are connected properly and are wired correctly (pin 3 is “hot”; on Some other DMX devices pin 5 may be “hot”). Also, check that all cables are connected to the right connectors; It does matter which way the inputs and outputs are connected.

Specifications

Model: **LED Slimbar 941(Pixel)**

Power: 100W

Working Position: Any safe working position

Voltage: 90-250V / 50~60Hz

LED Lamp : Tianxin high power LEDs;

4in1(RGBW) 10W*9pcs

DMX Channel: 4/7/36/39 channel mode

Lens: 15/ 25degree lens optional

Protection rating: IP20

RGBW color mixing and individual control

Every LED can be controlled alone

Product size: 575*85*195mm

Net Weight: 3.8kgs/unit

Warranty: **1 Year**

PLEASE Note: All information is subject to change without prentice!