

# LED Mini Profile60

## USER MANUAL



## Advice before use

Read these instructions carefully. As soon as the equipment is delivered, open packing and inspect the equipment carefully.

If you notice any damage, immediately contact the transport company and register your complaint in due form listing the defects.

Be sure that this equipment left our factory in perfect condition.

Check if the received equipment is consistent with the delivery notice and if this delivery notice is consistent with your order. If it is not, immediately contact your supplier.

## General Remarks

This luminaire is lighting equipment designed for professional use only indoors in theatres and television or film studios. It must imperatively be connected to earth by means of its earth wire.

To prevent any electrical shock, this equipment should not be opened when functioning.

This luminaire is a piece of professional equipment designed for easy and simple use.

Nevertheless, always refer to qualified personnel for any installation or repair work.

## Important Remark

Power supply cables and other connections are essential for your equipment and contribute greatly to a safe and trouble-free operation.

Always hold the plug when disconnecting a cable, never pull the cable. Never use cables or connectors in bad condition, check them before installation and periodically thereafter. Never tie power supply and data cables together.

## Electrical Connection

This luminaire is designed for operating at a nominal voltage of 230V. It is fitted with a 1.2m silicone power supply cable (3\*1.5mm<sup>2</sup>).

For your own safety, make sure the earth wire (yellow-green) is ALWAYS connected to earth.

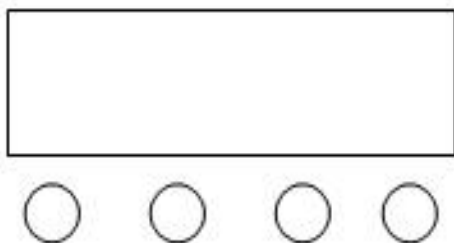


**ATTENTION:**  
LETHAL VOLTAGE PRESENT INSIDE!

## Operation

Monochrome digital display (LED) instructions

schematics section



A. MENU  
B. DOWN  
C. UP  
D. ENTER

A B C D

Instructions: Press function key a to cycle out 8 different function effects. The first two digits of the nixie tube represent the current function (refer to the menu). The last two digits represent the Address code. Or speed, mode and parameter of the function. Press B or C key to modify the parameter value. Press D to confirm.

1. Digital display window function comparison table: (press to select all the functions, then press D to confirm saving)

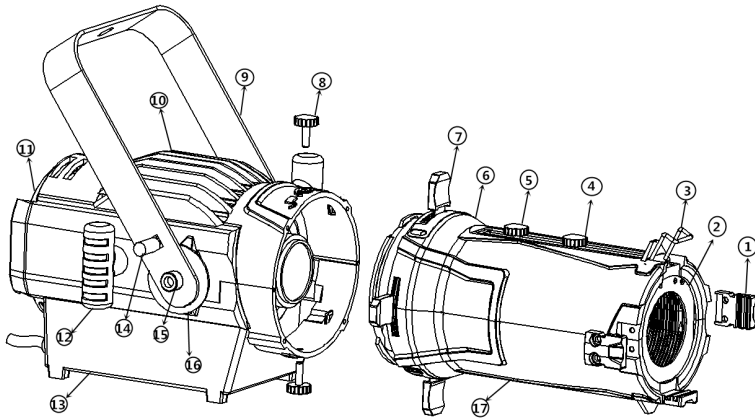
2.

1	d001	1 channel B.C key plus / minus address code value (001-512)
2	d.001	2-channel B.C key plus / minus address code value (001-512)
3	CC01	Jump function B.C key addition and subtraction value (01-99)
4	CP01	Gradient function B. C key addition and subtraction value (01-99)
5	dE01	Pulse function B. C key addition and subtraction value (01-99)
6	dENo	Jump + gradual change + pulse change function
7	bEbE	Voice control function jump + gradual change + pulse change
8	r255	White light manual dimming

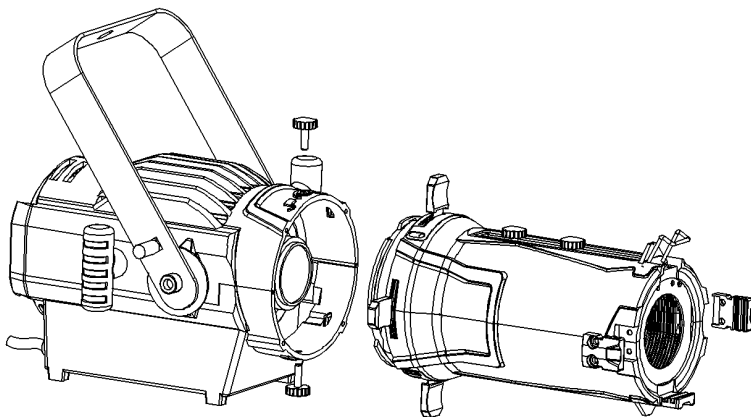
### DMX Chart

Channel	Value	Function	Control
1	000-255	Dimmer	0: OFF 1-255:dimmer
2	000-255	Strobe	0-9:Off 10-255: slow -fast

## Overview

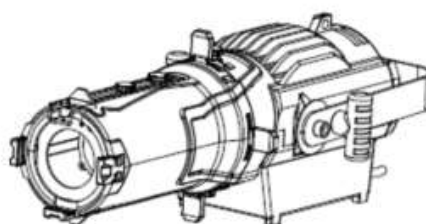
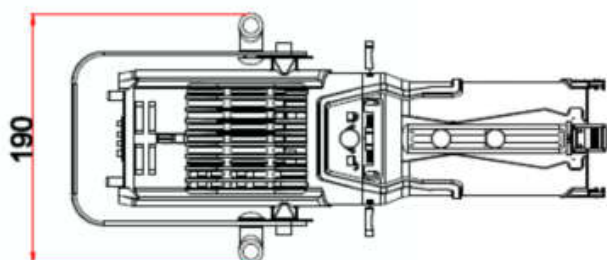
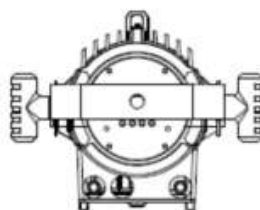
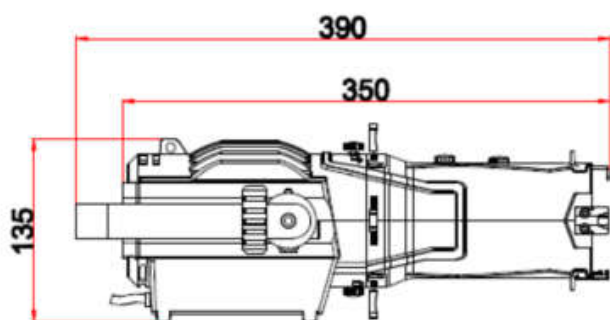


- 1.Profile lens tube
- 2.Sunshade
- 3.Color Flake Calipers
- 4.Focus lens 1
- 5.Focus lens 2
- 6.Focus mirror aluminum
- 7.Lighting Adjustment Flake
- 8.M4 bakelite screw
- 9.Handle
- 10.Light emitting part
- 11.back cover
- 12.M6 bakelite
- 13.Power box
- 14.M6 screw
- 15.M6 hexagon socket head screw
- 16.Handle connector
- 17.Focus mirror aluminum



Led mini profile60 is a new light source adopts high density integration of professional imaging light, than the previous generation of imaging light intensity of illumination increased 1.5 times. Can match exactly professional 19°to 40°lens barrel, flare, LOGO image is clear. 3200 k, 5600 k color rendering index greater than 90. Professional for the theater, the theater, television, studio, banquet hall and imaging lamp design.

## Size:



## Specifications

Model : LED mini profile60

Power: 100W

Voltage: AC100-230V 50-60HZ

Color Temperature: 3200K/5600K

Light source: 60W white LED lamp

Max.Ambient Temperature <math><40^{\circ}\text{C}</math>

Max.Surface Temperature <math><85^{\circ}\text{C}</math>

Manual zoom :  $19^{\circ}$ - $30^{\circ}$

Control: DMX512

DMX Channel: 1/2 CHs

LED Display

High CRI> 92

Light size: 390\*190\*135MM

Net Weight: 2.6KG

Gross Weight: 3.1KG