

# LED Profile 200 Zoom

## USER MANUAL



## TABLE OF CONTENTS

<b>INSTRUCTION</b> .....	1
<b>DESCRIPTION OF THE DEVICE</b> .....	1
1. Profile.....	1
2. Overview.....	1
3. Specification.....	1
4. Safety Precautions.....	1
<b>INSTALLATION</b> .....	2
1. Installation.....	2
2. DMX512 connection.....	3
3. Connection with mains.....	3
4. The use of gobo frame.....	4
5. Use iris.....	4
6. Replace fuse.....	4
7. Focus.....	4
<b>OPERATION</b> .....	5
1. Control Board.....	5
2. Menu.....	5
3. Main Control Menu.....	5
4. DMX Chart.....	6
<b>APPENDIX</b> .....	6
1. Issues and Solution.....	6
2. Clearing.....	6
3. No DMX.....	6

## INSTRUCTION

Thank you for purchasing LED Profile Zoom- 200, every unit has been thoroughly tested and shipped in perfect condition. Carefully check the shipping carton for damage that may have occurred during shipping. If the carton appears to be damaged, carefully inspect your unit for any damage and be sure all accessories necessary to operate the unit has arrived well. In the case damage has been found or parts are missing, please contact the manufacturer or your dealer for further instructions. Do not return this unit to your dealer without pre-notice..

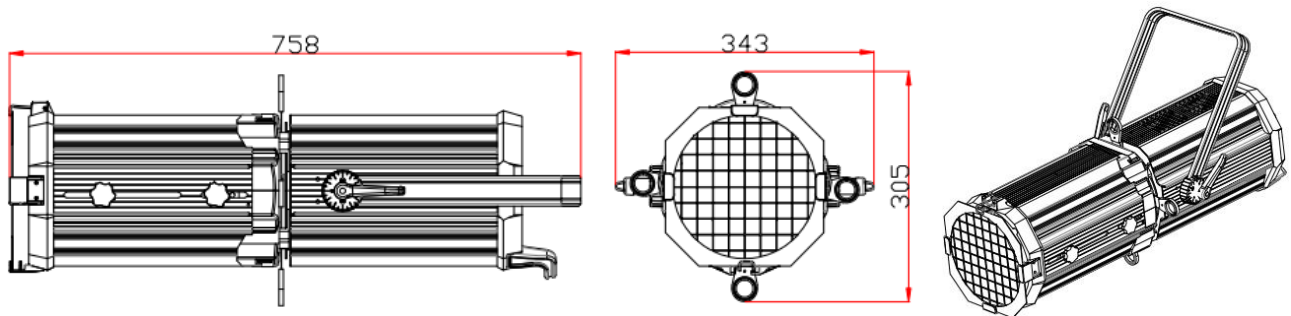
## DESCRIPTION OF THE DEVICE

### 1. Profile

With the idea of energy saving and environment protection, the device use low power loss and extremely high efficiency led. The device housing cover is made of used the new high strength heat resistance engineering plastics, with beautiful shape and smooth lines. The designing and manufacturing is in compliance with the IEC standard. The device is suitable in the large-scale theatrical performance, the theater, the performance hall, the bar, nightclub and so on.

The product conforms to the international standard DMX512 agreement completely; the device can be controlled in signal, and also be controlled in many units.

### 2.Overview(758x343x305mm)



### 3.Specification

#### Model: LED Profile 200 Zoom

Lamp: Japanese Citizen 200W CW/WW LED

Power Supply: AC100V-250V, 50Hz/60Hz

Power consumption: 300W

Warm White: 3200K

Cool white: 5600K

Manual zoom range: 15° -55°

CRI>96

DMX Channel: 2CHs

LCD display

High quality optical system

N.W.: 13.6kgs

### 4. Safety Precautions

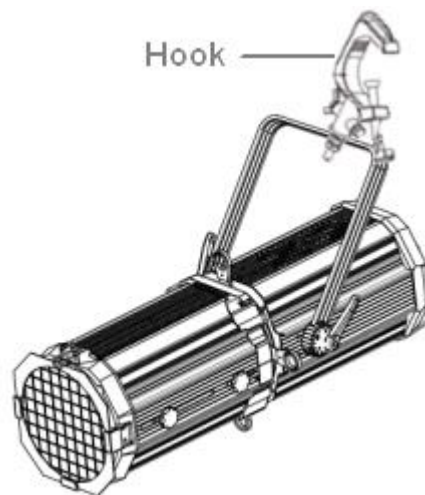
- Be sure that the local power outlet match that of the required voltage for your unit,
- Do not attempt to operate this unit if the power cord has been frayed or broken. Do not attempt to remove or break off the ground prong from the electrical cord. This prong is used to reduce the risk of electrical shock and fire in case of an internal short.
- Disconnect from main power before making any type of connection.
- Do not remove the cover under any conditions. There are user serviceable parts inside.
- Never operate this unit when its rear cover is removed.

- Never plug this unit into a dimmer pack.
- Always be sure to mount this unit in an area that will allow proper ventilation. Allow about 6" (15cm) between this device and a wall.
- Do not attempt to operate this unit, if it becomes damaged.
- During long periods of non-use, disconnect the units main power.
- Always mount this unit in safe and stable matter.
- Power-supply cords should be routed so that they are not likely to be walked on or pinched by items placed upon or against them, paying particular attention to the point they exit from the unit.
- Cleaning unit should be cleaned only as recommended by the manufacturer. See 'Cleaning" for details.
- Heat –The appliance should be situated away from heat sources such as radiators, heat registers, stoves, or other appliances (including amplifiers) that produce heat.
- The unit should be serviced by qualified service personnel when:
  - A. The power-supply cord or the plug has been damaged.
  - B. Objects have fallen, or liquid has been spilled into the appliance.
  - C. The appliance has been exposed to rain or water.
  - D. The appliance does not appear to operate normally or exhibits s marked change in performance.

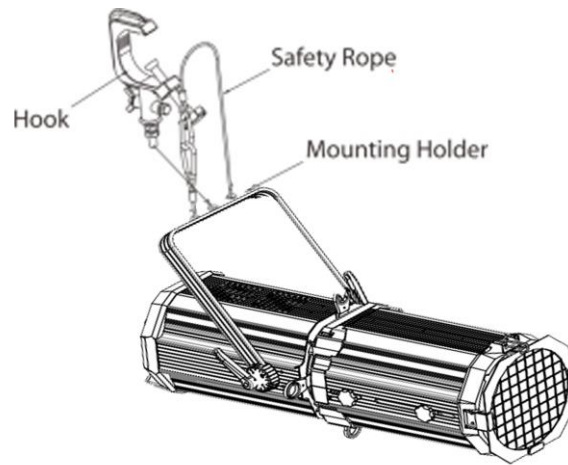
## INSTALLATION

### 1.Installation

- When installation, keep the device far away the heat sensitive objects and explosives sensitive objects, leave at least 50cm of free space around the device.
- When the device put on horizontal place, the device must be placed directly on the place, and device must be secured with a mounting holder.



- When ring the devices on the truss and the head face to the floor. Screw one clamp each via a M12 screw and nut onto the mounting holder. Insert the quick-lock fasteners of the first mounting holder into the respective holes on the bottom of the device. Tighten the quick-lock fasteners fully clockwise. Install the second mounting holder. And the safety rope must be used at same time.



- Please use qualified safety-rope, which can hold at least 10 times the weight of the fixture. You must only use safety-ropes with quick links with screw cap. Pull the safety-rope through the hole on the bottom of the base and over the trussing system etc. Insert the end in the quick link and tighten the fixation screw. A safety rope which already hold the strain of a crash or which is defective must not be used again.

## 2.DMX512 connection

Connect the DMX-output of the first fixture in the DMX-chain with the DMX-input of the next fixture. Always connect one output with the input of the next fixture until all fixtures are connected.

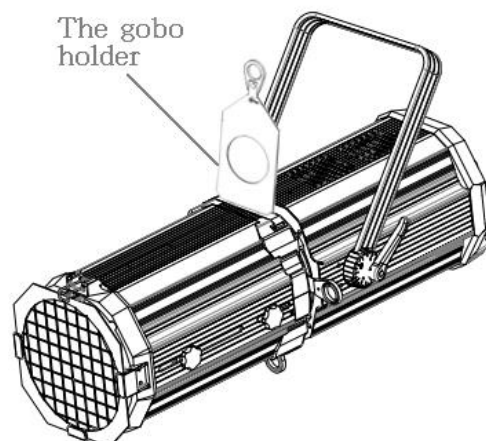
Caution: At the last fixture, the DMX-cable has to be terminated with a terminator. Solder a 120Ω resistor between Signal (−) and Signal (+) into a 3-pin XLR-plug and plug it in the DMX-output of the last fixture. Please use qualified xlr-xlr dmx cables.

## 3.Connection with mains

- The person involved with the power connection must be qualified, and has the electrical engineering certificate.
- Connect the device to the mains with the power plug.
- The earth has to be connected.
- Power consumption 200W, input power supply AC100V-250V, 50Hz/60Hz.

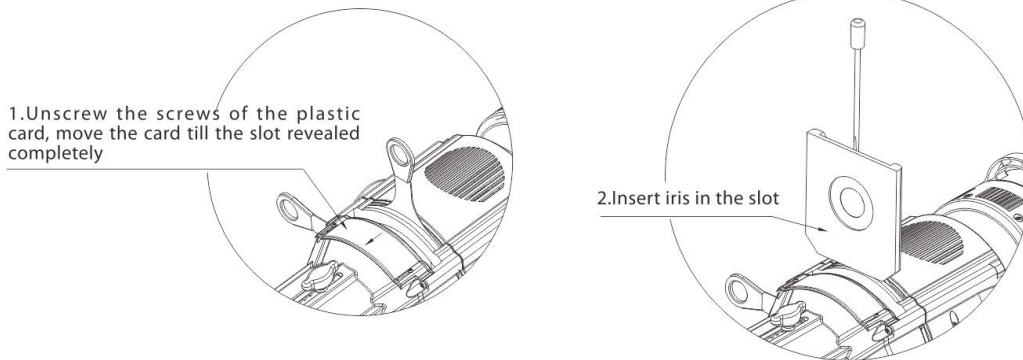
## 4.The use of gobo frame

- Take out the gobo frame, loose the screws insert the gobos and lock the screws again.
- Insert the gobo in the slot.



## 5. Use iris

The fixture delivers without Iris; user can purchase the iris if needed. Loose the screws and insert the iris.



## 6. Replace fuse

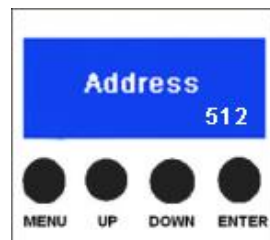
- Before replacing the fuse, unplug mains lead.
- Procedure:
  - Step1: Unscrew the fuse holder on the rear panel with a fitting screwdriver from the housing (Anti-clockwise).
  - Step2: Remove the old fuse from the fuse holder.
  - Step3: Install the new fuse in the fuse holder.
  - Step4: Replacing the fuse holder in the housing and fix it.

## 7. Focus

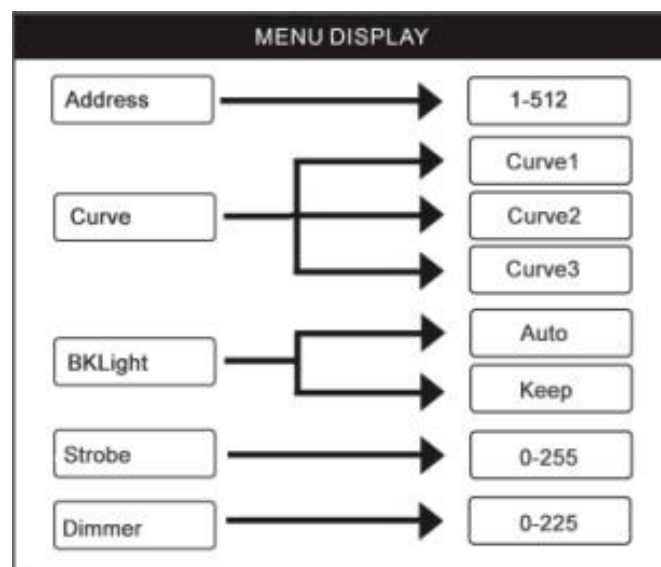
- The objective lens cylinder is usually shrieked before leave factory, after connect the projector to the mains, user may loose the screws and pull out the lens cylinder, till the white light output circular is clearly presented, locking tightly the two screws again.
- When the projection distance is changed, user can follow previous operation steps, and focus the projector.

## 1. Control Board

- MENU
- UP
- DOWN
- ENTER



## 2. MENU DISPLAY



Address

**DMX Address.** Press Enter to select the start address channel. The first display will let you know what operation mode you are in. Use the Up/Down keys to select the desired start address. Press Enter to confirm.

Curve

**Curve Mode** This function allows you to select dimmer curve mode. Press Enter to use Up/Down keys to select desired Mode settings: Curve1/Curve2/Curve3. Press Enter to confirm the setting

BKLight

**Back Light** This function allows you to make back light be automatic off or keep on after setting, Press Enter to use Up/Down keys to select desired Mode settings. Press Enter to confirm the setting

Strobe

**Strobe** This function allows you to select strobe effect from 000-255, Press Enter to use Up/Down keys to select desired effect settings. Press Enter to confirm the setting

Dimmer

**Dimmer** This function allows you to select LED intensity from 000-255, Press Enter to use Up/Down keys to select desired intensity settings. Press Enter to confirm the setting.

### 3.DMX Chart

Channel	Value	Function
1	000-255	Dimmer
2	000-255	Strobe

## APPENDIX

### 1. Issues and Solution

Issue	Reason	Solution
Device not work	No power	AC100V-250V, 50Hz/60Hz. Check the power connection, and make sure device connect the mains in well condition. Check if switch is on. Check if the fuse is good.
Led lamp OFF	Led lamp burnt	Replacing led bulb
	Driver stop working	Replacing led driver board
	Temperature switch broken	Replacing temperature switch
Fan not work	Fans broken	Replacing fans

### 2. Cleaning

Due to fog residue, smoke, and dust cleaning the internal and external optical lenses must be carried out periodically to optimize light output.

1. Use normal glass cleaner and a soft cloth to wipe off the outside casing.
2. Clean the external optics with glass cleaner and a soft cloth every 20 days.
3. Always be sure to dry all parts completely before plugging the unit back in.

Cleaning frequency depends on the environment in which the unit operates (i.e. smoke, fog residue, dust, dew).

### **3. Unit not responding to DMX:**

1. Check that the DMX cables are connected properly and are wired correctly (pin 3 is “hot”; on Some other DMX devices pin 5 may be “hot”). Also, check that all cables are connected to the right connectors; It does matter which way the inputs and outputs are connected.

***Note: All information is subject to change without prior notice.***